

COMPANION



RIDGE 380 SWAG

INSTRUCTION MANUAL



Part No. 777090

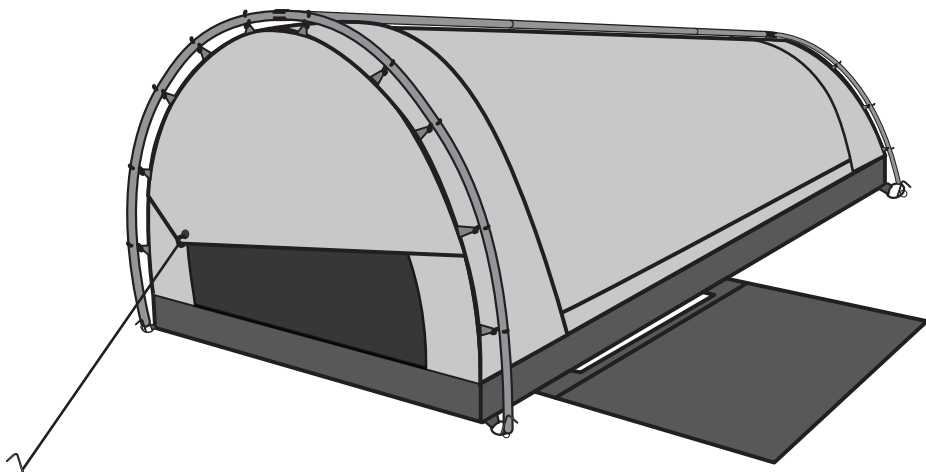
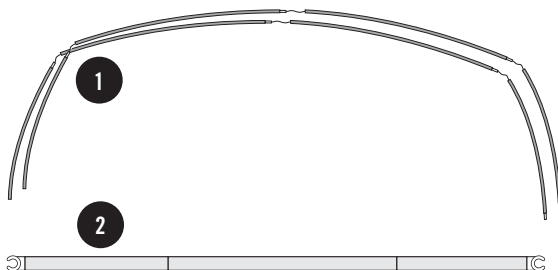
IMPORTANT

Read these instructions for use carefully. Familiarise yourself with the product before use. Keep these instructions for future reference.

PARTS LIST:

QTY DESCRIPTION

- 1 x Swag with built-in mattress
- 2 x Aluminium Alloy Pole (1)
- 1 x Aluminium Alloy Pole (2)
- 8 x Steel Pegs
- 4 x Guy Ropes



BEFORE USE:

- Before using your swag for the first time, it should be 'seasoned' to make it fully waterproof. This involves erecting the swag (see assembly instructions), soaking it completely with water by either rain or using a hose and letting the swag dry. It is the drying process that waterproofs the swag.
- Ensure all windows and doors are closed. This will allow the fabric and stitching to shrink and take up. Some water may wick through the stitching during this process. If any wicking occurs in the future, rub the stitching with a wax stick which will seal the area (available at camping stores).
- Repeat the wetting and drying process 2 or 3 times. The swag should now be waterproof. Allow swag to dry completely, and clean before rolling and storage.
- Always make sure that your swag is completely dry before packing away. Any moisture in the fabric will cause it to mildew and dramatically reduce its life. Mildewed fabric or fabric damaged by mildew is not covered under warranty.
- Never store a wet and/or soiled swag, as mildew and/or corrosion will form within a few days. This condition is not covered by the warranty.

SET UP INSTRUCTIONS

STEP 1

Choose a level firm surface, clear of any overhanging tree branches and clear of sticks, stones or any other objects that may damage the floor of your swag.

STEP 2

Unclip buckles and roll out the swag. Make sure all zips are closed to keep the swag in its correct shape. Pull out the four corners of the floor firmly and secure using pegs (3). Make sure all pegs are fitted before continuing.

STEP 3

Join together the spring-loaded sections of poles (1) and secure one pole (1) with attached pins and 'C' clips at head area of the swag.

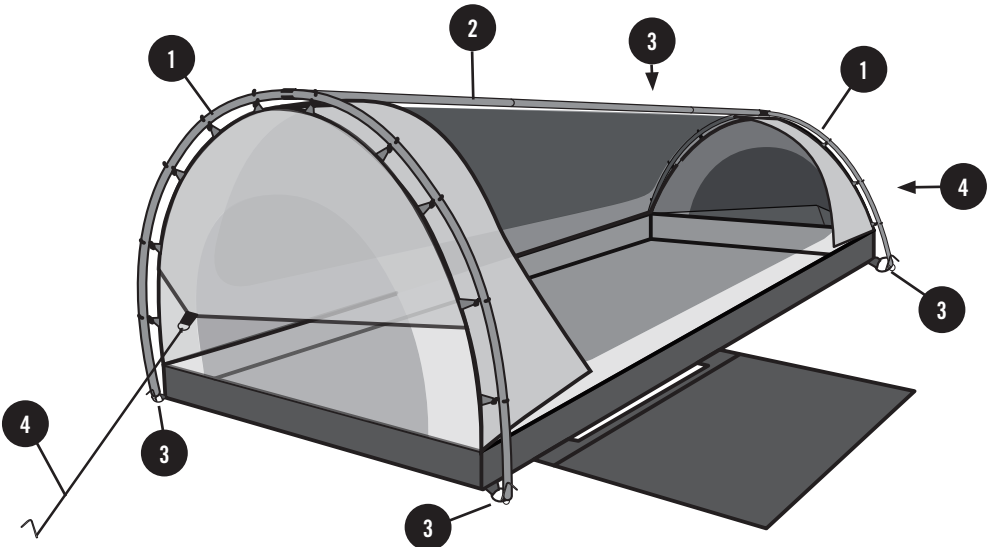
Repeat this process at the foot area of swag.

STEP 4

Join centre pole (2) together. Lock the 'C' clip to the top centre of the two poles (1).

STEP 6

Attach guy ropes (4) to the swag and pull out by using pegs or tie to the nearest tree if necessary.



SPECIFICATIONS

Size	220L x 90W x 75/75Hcm
Material	Heavy duty polycotton ripstop
Fabric Weight	380g/m ²
Floor	550g/m ² reinforced PVC
Mesh	Heavy duty ultra fine
Mattress	70mm HDPE open cell foam
Zippers	Heavy duty #10 on main entry and windows
Weight	12kg

WARNING

KEEP all flame and heat sources away from swag fabric.

NEVER use any fuel burning/oxygen consuming device, or any device that produces fumes (including stoves, lanterns, candles or heaters) in or around your swag. Inhalation of fumes may result in carbon monoxide poisoning, injury or death.

DO NOT:

- DO NOT pitch swag near an open flame.
- DO NOT leave campfires unattended.
- DO NOT allow children or adults to use lighted candles, matches or other flame sources in or near swags.
- DO NOT use heating, lighting or cooking equipment with open flames in or near swags.
- DO NOT use fuel burning/oxygen consuming devices (i.e. heaters, lanterns, or other flame sources) inside your swag at any time.
- DO NOT use water repellent compounds for swag canvas that are not recommended specifically for this purpose. Ensure the manufacturer's instructions are adhered to at all times.
- DO NOT spray the swag with insecticide.
- DO NOT use this swag as a dwelling. This swag is designed for use as a recreational product only.

DO:

- ALWAYS extinguish campfire before leaving area.
- EXERCISE care when using electricity and lighting in and near swags.
- DISASSEMBLE and store swag properly after use to ensure the swag's longevity.
- ALWAYS lower awnings to avoid water ponding on awning during rain.
- ALWAYS roll your swag for transport to protect it from dust and dirt that may be the result of travelling on dirt roads. Consider purchasing a swag carry bag for additional protection.

CARE

Rhino swags have the finest water repellent treatment possible for each type of fabric. No swag, however, can be as waterproof as a house, car or similar solid structure. There are several common and natural causes that can lead to water in your swag.

CONDENSATION

The polycotton canvas fabrics are coated with acrylic to repel water. This coating reduces air permeability and leads to condensation similar to that which occurs on car windows under certain conditions. This is caused by lower temperatures on the outside of the swag combined with body heat on the inside of the swag. When this occurs, avoid touching walls to reduce contact leakage. Leaving the doors and windows open will reduce moisture condensation. Some condensation is normal with polycotton canvas fabrics and should not be considered as a defect.

SEAM LEAKAGE

Rhino swags are manufactured by expert machinists with the finest water repellent treatment. However, when new and during heavy rain, some seepage may occur in the seams through the needle holes created in the sewing process.

This is normal and can be corrected with the application of a seam sealing compound available at camping stores.

MILDEW

To avoid mildew, never put your swag away wet or damp. However, if mildew occurs, use a soft bristle brush or sponge with mild detergent to clean. Let the swag dry in the sunlight and re-apply seam sealer compound on the inside of the seams.

REPAIRING A TEAR

For small tears, use a self-adhesive patch kit. We recommend a canvas or awning repairer for larger tears.

ZIPPER

If the zipper separates, move the slider to the beginning of the zipper tape and re-work the zipper. If this does not work, we recommend you visit a canvas or awning repairer in your area.

FADING FABRIC

Do not leave your swag set up in direct sunlight longer than it is necessary. If left in sunlight for prolonged periods of time, fabric will fade and weaken.

FLOOR CONDENSATION

Placing a ground sheet under your swag prevents the floor from feeling damp and helps prolong its life. The ground sheet should be smaller than the swag's floor to prevent rain from running under the swag.

REMOVING PEGS

Pegs should be pulled with another peg, hammer or a peg puller, never by pulling on the swag. Avoid pegging swag so tight that it stretches the fabric. Overstretching may cause peg loops to tear.

CARRY BAG

A carry bag is not included. Sold separately.

WARRANTY

Our goods come with guarantees that cannot be excluded under the Australian Consumer Law. You are entitled to a replacement or refund for a major failure and compensation for any other reasonably foreseeable loss or damage. You are also entitled to have the goods repaired or replaced if goods fail to be of acceptable quality and the failure does not amount to a major failure.

For warranty and technical support please visit www.primusaustralia.com.au or call 1300 555 197 (Mon-Fri 8:30-5:30 AEST)

For more information contact
Customer Service on 1300 555 197

Distributed by
PRIMUS AUSTRALIA Pty Ltd
Bundoora Victoria 3083

COM4689